

www.baumann-sideloaders.com

CAVAION SIDeloadERS
BAUMANN
the art of working sideways

THE HX SERIES

3 - 5 TONNES CAPACITY
Compact, Light-Duty

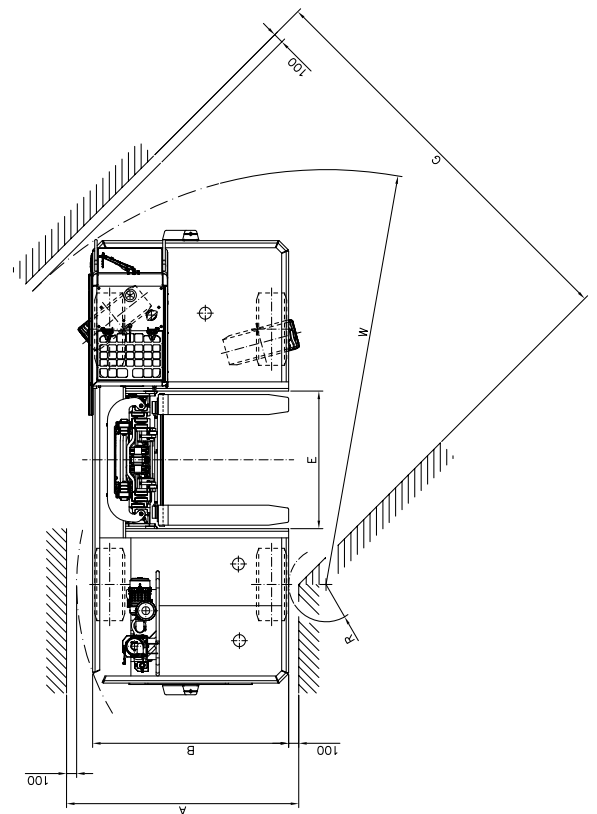
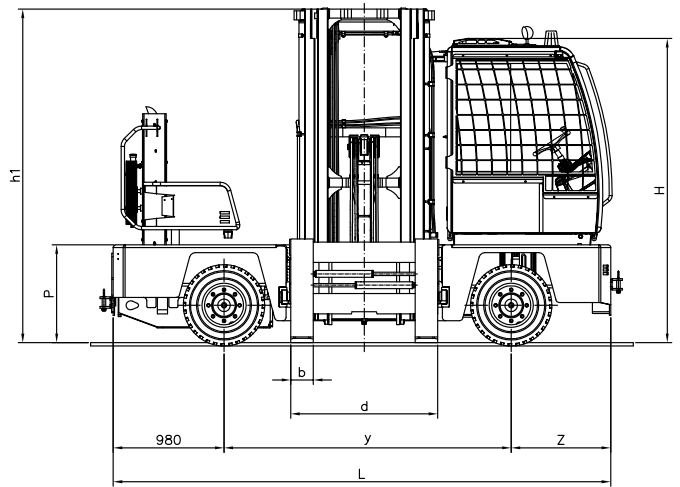
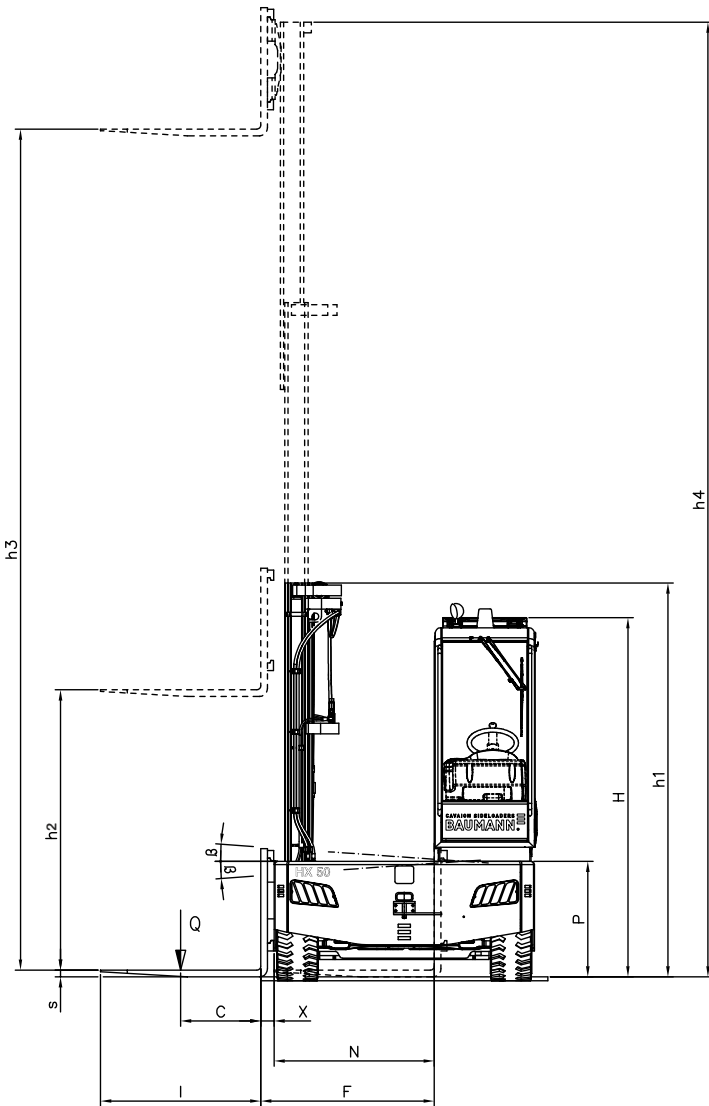


Short chassis length
Optimized weight distribution
Low emission diesel engine
High residual load capacities
Chassis-tilting system for safer loadhandling

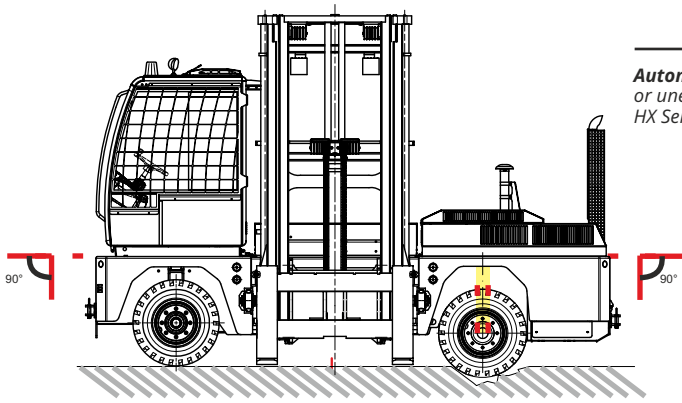
TYPE			HX 30	HX 40	HX 50
Technical Data					
Lifting capacity	Q	Kg	3000	4000	5000
Load center	C	mm	600/700	600/700	600/700
Fork length	l	mm	1200/1400	1200/1400	1200/1400
Fork width	b	mm	150	150	200
Fork thickness	s	mm	50	50	60
Drive			Diesel	Diesel	Diesel
Type of steering			Hydrostatic	Hydrostatic	Hydrostatic
Type of tyres			Pneumatic	Pneumatic	Pneumatic
Dimensions					
Total length	L	mm	4100	4100	4400
Total width	B	mm	1950/2150	1950/2150	1950/2150
STD mast* height lowered	h1	mm	2850	2850	2850
STD mast* height extended	h4	mm	4880	4880	4880
Cabin height	H	mm	2730	2730	2850
Lift height	h3	mm	4000	4000	4000
Free lift	h2	mm	600	600	600
Chassis tilt angle (up/down)		°	1200±3.5/1400±3	1200±3.5/1400±3	1200±3.5/1400±3
Platform height	P	mm	860	860	865
Platform width	N	mm	1200/1400	1200/1400	1200/1400
Lateral movement	F	mm	1300/1500	1300/1500	1300/1500
Load spacing max.	x	mm	100	100	100
Framework cut	E	mm	1370	1370	1370
Fork spacing max	d	mm	1300	1300	1300
Turning radius inner	R	mm	386	386	385
Turning radius outer	W	mm	1200=3892/1400=4016		4147/4272
Aisle width	A	mm	1200=2301/1400=2498		2297/2500
Aisle width for 90° Turning	G	mm	1200=3790/1400=3913		4038/4195
Performance					
Travel with/without load		Km/h	18/20	18/20	20/22
Lifting with/without load		m/s	0.4/0.45	0.4/0.45	0.4/0.45
Lowering with/without load		m/s	0.4/0.35	0.4/0.35	0.4/0.35
Traverse with/without load		m/s	0.3	0.3	0.3
Tractive power		kN	17	17	31
Gradeability		%	15\21	15\21	22\25
Weights					
Weight of truck		Kg	7250	7250	8000
Axle load front		Kg	4300	5400	6100
Axle load rear		Kg	4600	5600	6600
Chassis					
Tyres front/rear			2/2	2/2	2/2
Tyres size front/rear		Inches	27 x 10-12	27 x 10-12	28X12,5-15 / 355/45-15
Tyres outside diameter		mm	690	690	695
Wheel base	Y	mm	2520	2520	2540
Track front	Sp1	mm	1200=1615 / 1400=1815		1650/1850
Track rear	Sp2	mm	1200=1635 / 1400=1835		1680/1880
Ground clearance		mm	200	200	200
Service brake	hydraulic			Front	
Parking brake	hydraulic			Drive wheels	
Drive					
Diesel engine manufacturer			HATZ	HATZ	HATZ
Type		KW	4H50TIC 55 kW / 2500rpm	4H50TIC 55 kW / 2500rpm	4H50TIC 55 kW / 2500rpm
Power		PS	74,8	74,8	74,8
Speed		rpm	2500	2500	2500
Cylinder / displacement		x/cm ³	4/2000	4/2000	4/2000
Transmission			Direct		
Gearbox			Hydrostatic		
Battery		V/Ah	12V 100Ah 640A	12V 100Ah 640A	12V 100Ah 640A

*STD mast: 4000mm Duplex

HX 30 - 50	Lift height	Lowered height	Extended height	Free lift
Duplex- Standard ST	h3 mm	h1 mm	h4 mm	h2 mm
	3300	2500	4180	600
	4000	2850	4880	600
	4500	3100	5380	600
	5000	3350	5880	600
	5500	3600	6380	600
Triplex- Free Lift TR	6000	3850	6880	600
	4500	2350	5380	1470
	5100	2550	5980	1670
	5400	2650	6280	1770
	5700	2750	6580	1870
	6000	2850	6880	1970
	6300	2950	7180	2070
	6600	3050	7480	2170
6900	3150	7780	2270	
7200	3250	8080	2370	



What's New? The HX30, HX40 and HX50 models include new engines, refined ergonomic cabins and new joystick controls, with award-winning levels of practicality, durability, and visibility. The HX is the perfect model for customers looking for the Baumann reliability and productivity, but in a small and nimble chassis. The glass side panel on the new cabin now means the driver's view has been significantly improved from both sides.



Automatic deck-leveling: Even on difficult or uneven ground conditions, Baumann HX Series sideloaders keep loads level.



The blending of innovation, productivity and durability.

Baumann machines can cope with almost anything you can throw at them.

Our chassis are built to exacting standards, while our masts have a unique profile designed for the specific demands of working sideways.

Toughness is just one of the secrets to our success, helping our equipment to be known worldwide for its durability and reliability.

Baumann is also renowned as an innovator, especially in the important areas of safety and productivity.

Our Variable Reach System (VRS) with Archimedes Outreach is the most advanced development in sideloader

design in over 50 years. We have been nominated five times in the Fork Lift Truck Association's Excellence Awards, winning for both Environment and Innovation, and are the only sideloader manufacturer to receive the prestigious Watt d'Or from the Swiss Federal Office of Energy.

With a strong reputation for our ability to customise standard models around specific needs, we are a reliable and professional partner, particularly in technical support and after-sales.

Our panoramic operator cabs offer the very latest technology, efficient use of space and high levels of ergonomics.

It all adds up to an enviable package blending the perfect levels of innovation, productivity and durability.

CAVAION SIDELOADERS
BAUMANN 

BAUMANN S.r.l.
 I-37010 CAVAION (Verona)
 Via Palesega, 1
 Telephone +39 045 6 20 53 11
 Fax +39 045 6 20 53 55
 info@baumann-sideloaders.com
 www.baumann-sideloaders.com

